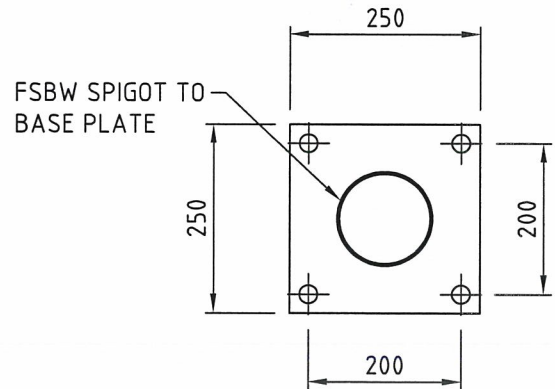
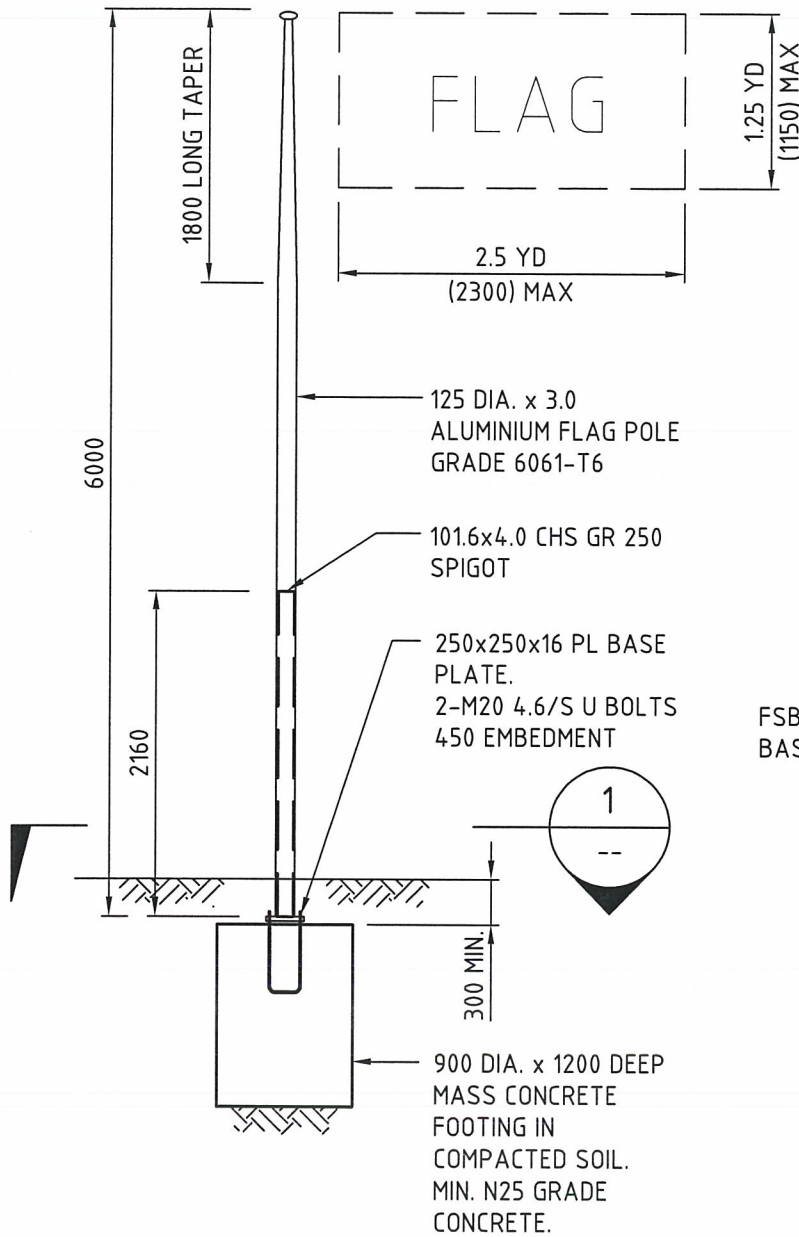


## NOTES

- 1.1 DESIGN DATA  
THE STRUCTURAL COMPONENTS DETAILED ON THESE DRAWINGS HAVE BEEN DESIGNED IN ACCORDANCE WITH THE FOLLOWING STANDARDS:  
AS/NZS 1170.2-2011  
AS 4100-1998  
AS/NZS 1664.1-1997
- 1.2 WIND LOADS  
ANNUAL PROBABILITY OF EXCEEDANCE = V200  
REGION D - CYCLONIC  
DESIGN WIND SPEED 79.2 M/S TERRAIN CATEGORY 2
- 1.3 FLAG  
MAXIMUM FLAG SIZE TO BE 2.5 x 1.25 YDS (2300 x 1150)
- 1.4 ALL DIMENSIONS IN MILLIMETERS UNO.
- 1.5 ALL STEELWORK TO BE HOT DIP GALVANISED.



SECTION 1  
1:10

MARINDUST SALES  
6.0 METER FLAGPOLE - CYCLONIC REGION  
SCALE 1:50

*Dion Voss*  
DION VOSS BENK, MIEAUST  
IEAUST No. 297 8985  
17/08/11